

HEAT DETECTORS

MIRCR & MIRCF SERIES



Description

The MIRCR & MIRCF Series Heat Detectors provide reliable fire detection by responding to both Rate of Temperature increase (known as "Rate of Rise"), as well as preset temperature level.

MIRCR-135

The MIRCR-135 is a combination Rate-of-Rise and Fixed Temperature detector. A set of normally open contacts will close when the ceiling temperature increases at a minimum rate of 8.4°C (15°F) per minute. Closing the contacts initiates the fire alarm sequence. Independent of the rate-of-rise operation, the fixed temperature portion consists of a spring-loaded plunger retained by a fusible alloy that releases when the ceiling temperature reaches 57°C (135°F). When released, the plunger strikes the contacts and holds them closed. Spacing on an uninterrupted ceiling is 70 ft. (21.3 m) for the rate-of-rise and 40 ft. (12.2 m) for the fixed temperature portion.

MIRCF-135

The MIRCF-135 is a Fixed Temperature detector. The fixed temperature portion consists of a spring-loaded plunger retained by a fusible alloy that releases when the ceiling temperature reaches 57°C (135°F). When released, the plunger strikes a normally open set of contacts and holds them closed. Spacing on an uninterrupted ceiling is 40 ft. (12.2 m). The MIRCF-135 is identified by a black dot on its heat collector fin.

Features

- Dual Action Rate of Rise & Fixed Temperature
- Detects Rate of Ambient temperature rise of 8°C (15°F)
- Detectors operating on fixed temperatures are available in two settings of 135°F (57°C) or 200°F (93°C)
- Complementary white exterior finish
- Easy Installation

MIRCR-200

The MIRCR-200 is a combination Rate-of-Rise and Fixed Temperature detector that operates in the same way as the MIRCR-135, with the exception that the fixed temperature portion releases when the ceiling temperature reaches 93°C (200°F). Spacing parameters for the rate-of-rise is 70 ft. (21.3 m). The Fixed Temperature portion is 25 ft. (7.6 m). The MIRCR-200 is identified by a white dot on its heat collector fin.

MIRCF-200

The MIRCF-200 is a Fixed Temperature detector. The fixed temperature portion releases when the ceiling temperature reaches 93°C (200°F). Spacing is 25 ft. (7.6m). The MIRCF-200 is identified by a black dot and a white dot on the heat collector fin.

Engineering Specifications

The MIRCR-135 automatic rate-of-rise heat detectors shall be installed in areas where ambient temperatures do not exceed 100°F. In areas where ambient temperature remains between 100°F. and 150°F., specify the MIRCR-200 detectors. In areas where sudden increases in ceiling temperature are normal, specify Fixed Temperature units, with fusible settings of 135°F. and 200°F. The rate-of-rise operation responds to temperature increases of 15°F. (8.4°C.), per minute. The detectors shall be installed in areas where environmental conditions including dust, vapours, insects, etc., would cause an ionization or photoelectric type detector to initiate a false alarm.



Specifications

Spacing (uninterrupted ceiling)

MIRCR-135/MIRCF-135

Rate-of-Rise: 70ft (21.3 m) 4900 sq.ft (453.7m²)

Fixed Temperature: 40ft (12.2 m) 1600 sq.ft (148.8m²)

MIRCR-200/MIRCF-200

Rate-of-Rise: 70ft (21.3 m) 4900 sq.ft (453.7m²)

Fixed Temperature: 25ft (7.6m) 625 sq.ft (57.7m²)

Contact Ratings

3A @ 125 VAC

1A @ 28 VDC

0.3A @ 125 VDC

0.1A @ 250 VDC

Diameter

5.25" (13.4 cm)

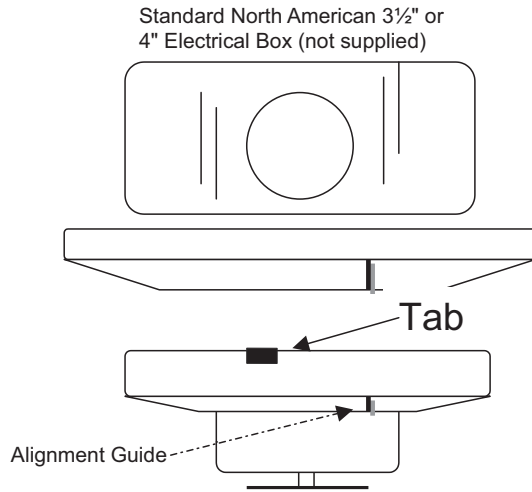
Height

2.0" (4.85 cm)

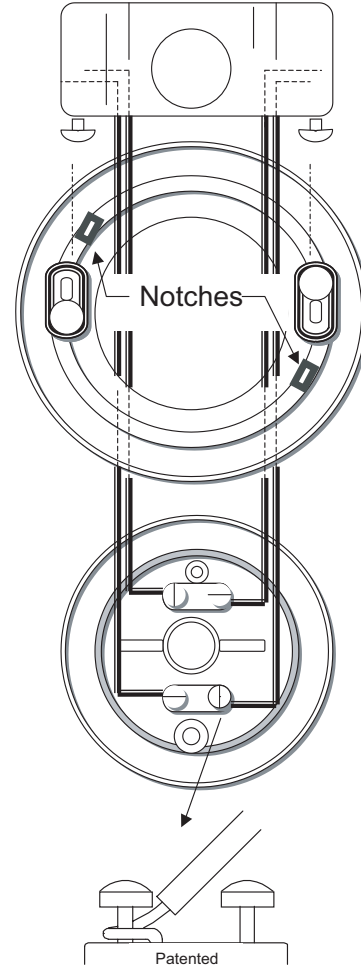
Weight

0.34 lb (156 gm)

Mounting



To install detector fit tabs into notches and turn clockwise.



Wiring

All wiring must be installed in compliance with the local Electrical Code using approved cable, AWG 18 minimum. Begin electrical connections by stripping approximately 1" (2.5 cm.) from the end of each wire. Insert the stripped end into the wire-retaining hole in the terminal bar, wrap clockwise around the terminal screw, and tighten. Circuit wiring must be broken at each terminal to ensure proper supervision.

Ordering Information

Model

MIRCR-135

MIRCF-135

MIRCR-200

MIRCF-200

Description

Rate of Rise & Fixed Temperature 135°F (57°C) Heat Detector

Fixed Temperature 135°F (57°C) Heat Detector

Rate of Rise & Fixed Temperature 200°F (93°C) Heat Detector

Fixed Temperature 200°F (93°C) Heat Detector



Canada

25 Interchange Way
Vaughan, Ontario L4K 5W3
Telephone: (905) 660-4655
Fax: (905) 660-4113

U.S.A.

4575 Witmer Industrial Estates
Niagara Falls, NY 14305
Toll Free: (888) 660-4655
Fax Toll Free: (888) 660-4113

Web page: <http://www.mircom.com> Email: mail@mircom.com

Distributed by:

ISO 9001:2000
REGISTERED



CAT. 5137
Rev. 2