



L-Series Chimes and L-Series with LED Chime Strobes

System Sensor L-Series and L-Series with LED audible visible notification products are rich with features guaranteed to cut installation times and maximize profits with lower current draw and modern aesthetics.



Features

- LED technology provides lower current draw
- Digital Voltage Meter (DVM) diagnostic test points for Chime Strobes
- Field-selectable candela settings on wall units: 15, 30, 75, 95, 110, 135, and 185
- Field-selectable candela settings on ceiling units: 15, 30, 75, 95, 115, 150, and 177
- Common aesthetics across the L-Series platform
- Tamper-resistant construction
- Rotary switches for candela and volume selections
- Mounting plate provides plug-in design for easier installation and shorting springs to check wiring continuity
- Electrically compatible with legacy SpectrAlert, SpectrAlert Advance and L-series devices at 16-33 VDC.
- Synchronization through use of UL approved power supplies that support System Sensor Sync protocol or System Sensor MDL Sync Module

The System Sensor L-Series and L-Series with LED line of chimes and chime strobes include a variety of features that increase their application versatility while simplifying the installation. With white and red plastic housings, System Sensor L-Series and L-Series with LED can meet virtually any application requirement.

Selectable-output chimes and chime strobes are private mode notification applications and can be used to alert trained personnel to investigate possible emergency situations and to take appropriate action. Security guard and nurse workstations are ideal locations for chime products.

All devices feature plug-in designs with minimal intrusion into the back box, making installations fast and foolproof while virtually eliminating costly and time-consuming ground faults. The universal mounting plate includes an onboard shorting spring, so installers can test wiring continuity before the device is installed.

In addition, the System Sensor L-Series with LED notification appliances offer a new diagnostic test point feature that allows you to measure device voltage with a digital voltage meter (DVM) without removing the appliance from the wall or ceiling. The DVM test points are discreetly located on the face of the notification appliance which enable faster troubleshooting and end of line (EOL) voltage checks while greatly reducing the risk of misplacing or damaging appliances during troubleshooting.

Agency Listings



Product Specifications

Physical/Electrical Specifications	
Standard Operating Temperature	32°F to 120°F (0°C to 49°C)
Humidity Range	10 to 93% non-condensing
Strobe Flash Rate	1 flash per second
Nominal Voltage(Chime Strobe)	Regulated 24 VDC
Nominal Voltage (Chimes)	Regulated 12 VDC or Regulated 24 DC/FWR
Operating Voltage Range (Chime Strobe)	16 to 33V (24V nominal)
Operating Voltage Range (Chimes)	8 to 17.5 V (12V Nominal) or 16 to 33 V (24V nominal)
Input terminal wire gauge	12 to 18 AWG

UL Current Draw Data

UL Max. Chime Current Draw (mA RMS)				
Sound Pattern	dB	8–17.5 Volts		16–33 Volts
		DC	DC	FWR
1 Second Chime	High	5	8	9
1 Second Chime	Low	5	8	9
¼ Second Chime	High	6	10	10
¼ Second Chime	Low	5	9	9
Temporal Chime	High	7	10	10
Temporal Chime	Low	6	9	9
5 Second Whoop	High	12	15	16
5 Second Whoop	Low	7	10	11

Tone Selection

Chime tone selection is accomplished by using the rotary switch on the back of the product. The current draw and sound measurements for various chime tone settings are listed below.

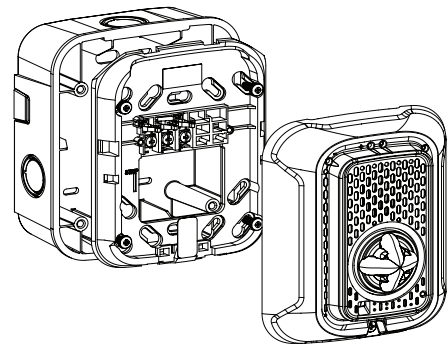
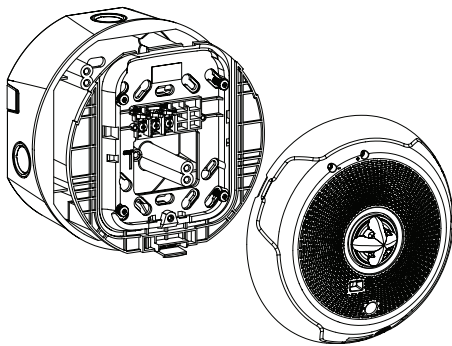
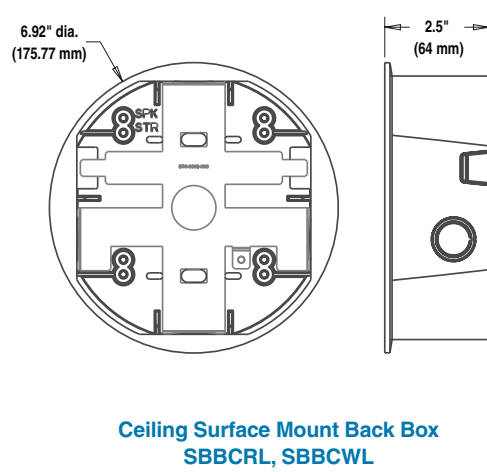
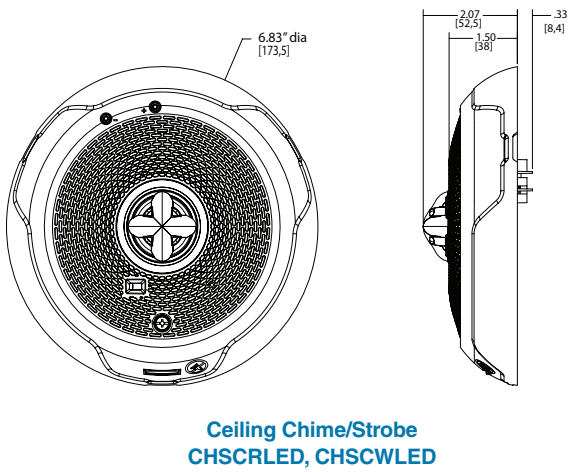
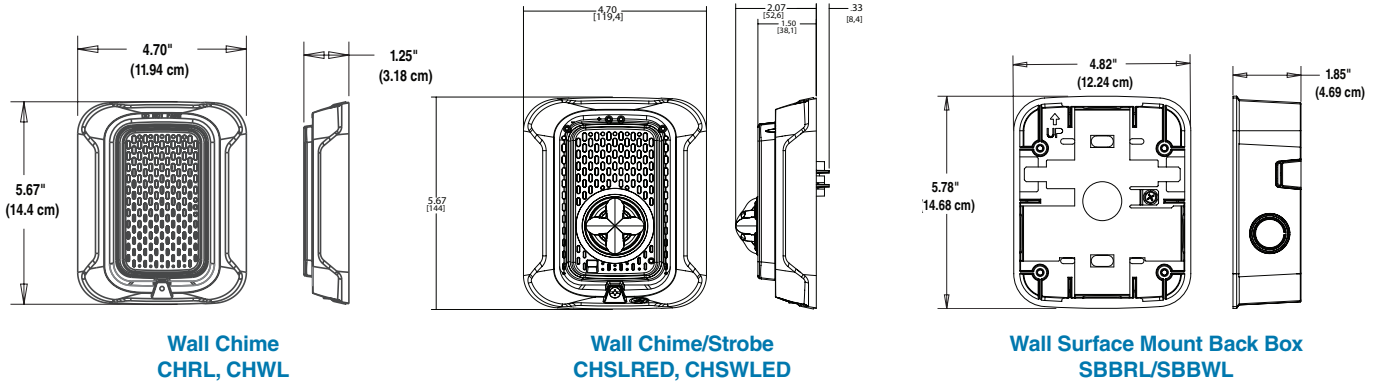
Chime Patterns		
Setting	Repetition Rate	dB Level
1	1 Second Chime	High
2	1 Second Chime	Low
3	¼ Second Chime	High
4	¼ Second Chime	Low
5	Temporal Chime	High
6	Temporal Chime	Low
7	5 Second Whoop	High
8	5 Second Whoop	Low
9	1 Chime	High

Chime Output (dBA)					
Switch Position	Sound Pattern	dB	8–17.5 Volts		16–33 Volts
			DC	DC	FWR
1	1 Second Chime	High	61	62	62
2	1 Second Chime	Low	56	55	55
3	¼ Second Chime	High	67	70	70
4	¼ Second Chime	Low	61	61	61
5	Temporal Chime	High	64	66	66
6	Temporal Chime	Low	59	60	60
7	5 Second Whoop	High	76	78	78
8	5 Second Whoop	Low	62	64	64
9	1 Chime	High	76	78	78

UL/ULC Maximum Chime Strobe Current Draw (mA) and Sound Output (dBA)

			Current Draw (mA RMS), Chime Strobe, Candela Range (15-185 cd), FCP*										Sound Output (dBA)
Pos	Tone	Volume Setting	16-33 Volts										16-33 V
			15cd	30cd	75cd	95cd	110cd WALL	115cd CEILING	135cd WALL	150cd CEILING	177cd CEILING	185cd WALL	DC
1	1 Second Chime	High	40	42	92	92	89	93	130	145	186	218	65
2	1 Second Chime	Low	47	44	93	94	90	94	116	137	189	225	58
3	¼ Second Chime	High	50	48	96	96	98	94	114	136	187	204	69
4	¼ Second Chime	Low	36	37	90	95	91	95	116	137	184	210	62
5	Temporal Chime	High	37	38	91	93	90	94	149	178	187	206	68
6	Temporal Chime	Low	38	36	91	94	89	94	150	154	180	221	61
7	5 Second Whoop	High	36	38	93	94	94	95	120	138	189	212	80
8	5 Second Whoop	Low	37	40	91	93	92	93	114	140	186	214	65

L-Series with LED Dimensions



Ceiling Mount Chime/Strobe with Ceiling Surface Mount Back Box

Wall Mount Chime/Strobe with Wall Surface Mount Back Box

L-Series with LED: Ordering Information

Model	Description
L-Series with LED Chime Strobes	
CHSRLED	Chime Strobe, Wall, Red
CHSWLED	Chime Strobe, Wall, White
CHSCRLED	Chime Strobe, Ceiling, Red
CHSCWLED	Chime Strobe, Ceiling, White
CHSRLED-B	Chime Strobe, Wall, Red, Bilingual
CHSWLED-B	Chime Strobe, Wall, White, Bilingual
CHSCRLED-B	Chime Strobe, Ceiling, Red, Bilingual
CHSCWLED-B	Chime Strobe, Ceiling, White, Bilingual
L-Series Chimes	
CHRL	Chime, Wall, Red
CHWL	Chime, Wall, White
Accessories	
SBBRL	Surface Mount Back Box, Wall, Red
SBBWL	Surface Mount Back Box, Wall, White
SBBCRL	Surface Mount Back Box, Ceiling, Red
SBBCWL	Surface Mount Back Box, Ceiling, White
LED Lenses	
LENS-A3	Lens LED Amber Wall/Ceiling
LENS-B3	Lens LED Blue Wall/Ceiling
LENS-G3	Lens LED Green Wall/Ceiling
LENS-R3	Lens LED Red Wall/Ceiling
Bezels †	
BZR	Wall Red Bezel Kit
BZW	Wall White Bezel Kit
BZRC	Horn Strobe Ceiling Red Bezel Kit
BZWC	Horn Strobe Ceiling White Bezel Kit

Notes for L-Series With LED Chime Strobes:

All -B models have "FIRE/FEU" marking on cover for use in Canadian applications.

Notes for Bezels:

† Each bezel pack ships in a package of 5.

Add one of the following extensions for print/language options:

-F (FIRE), -AL (ALERT), -EV (EVAC),
 -AG (AGENT), -P (Plain), -FR (FEU),
 -PG(FOGO), -SP (FUEGO), -SPE (FUEGO/FIRE).

3825 Ohio Avenue • St. Charles, IL 60174 USA
 Phone: 800-SENSOR2 • Fax: 630-377-6495
www.systemsensor.com

3333 Unity Drive, Mississauga, ON L5L 3S6 Canada
 Phone: 800-SENSOR2 • Fax: 905-812-0771
www.systemsensor.ca

System Sensor® is a registered trademark
 of Honeywell International, Inc.



©2025 System Sensor.
 Product specifications subject to change without notice. Visit systemsensor.com
 for current product information, including the latest version of this data sheet.
 AVDS-62186-00 • 03/20/2025