

**NO  
EXCUSES!**



# H/PSG

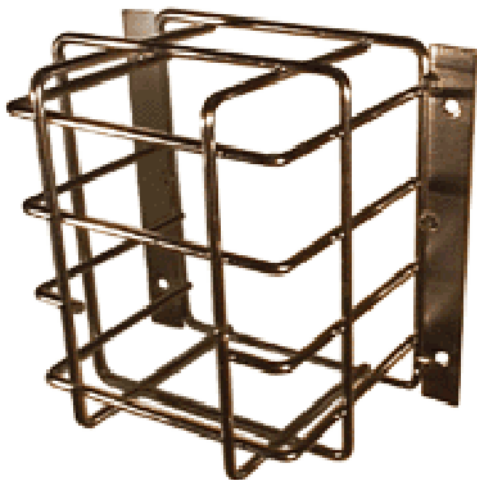


## Horn Strobe/Pull Station Guard

The Horn Strobe Guard (HSG) is specifically designed to mount over audible, visual, or combination appliances (i.e. horn/strobe), while the Pull Station Guard (PSG) is specifically designed to mount over fire alarm pull stations. Both wire guards are designed to assist in preventing false events (alarms and/or troubles) caused by inadvertent blows to the device.

In addition, these guards deter vandalism in exposed areas such as prisons, housing projects, universities, hotels, and other public locations.

The HSG and PSG's designs provide maximum strength, air-flow, and visibility while allowing easy mouting for a new installation or retrofit. Both guards are constructed of heavy gauge, tempered steel rod and are designed to minimize interference with the operation of the device.



## Standard Features:

- Heavy 7 gauge welded steel wire cage construction
- High aesthetic nickel chrome finish
- Hardware included



ISO 9001  
REGISTERED  
COMPANY



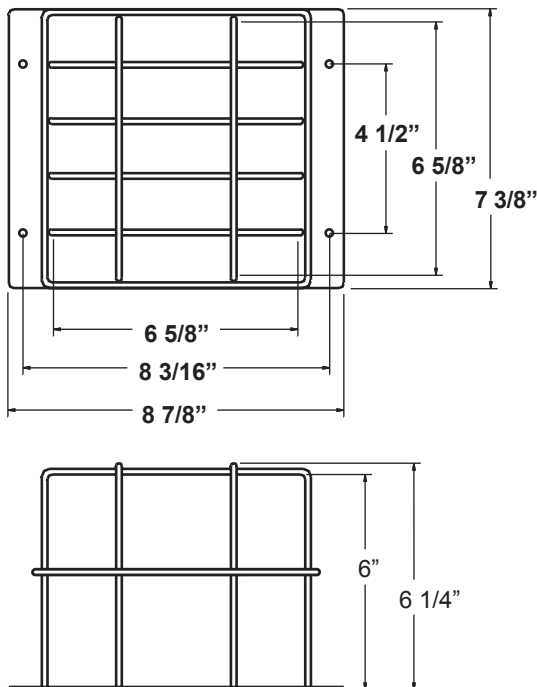
**ACEBOX**

Space Age Electronics, Inc.  
www.1sae.com  
800.486.1723 Toll Free  
508.485.0966 Local  
508.485.4740 Fax

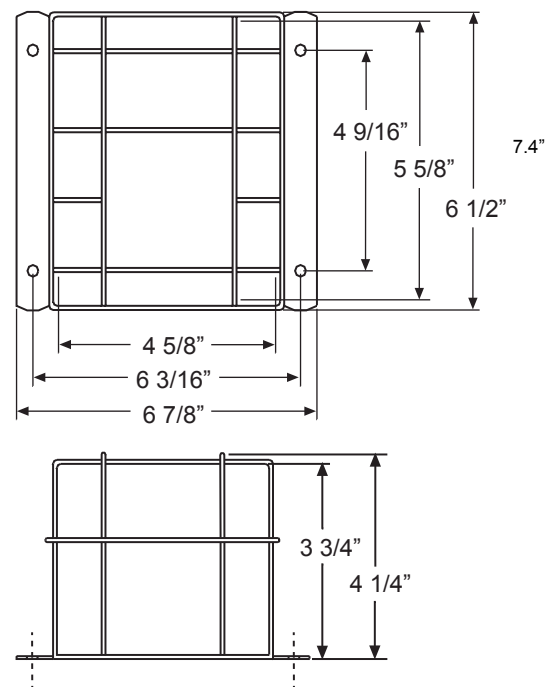
## Specifications:

The Space Age Electronics, Inc. Horn Strobe Guard (HSG) and Pull Station Guard (PSG) shall be manufactured of hardened steel rod measuring 7 gauge. All joints shall be welded for superior durability. These guards shall be designed to not interfere with the proper operation of the devices nor shall they sufficiently block the device as to render it's purpose unrecognizable. These guards shall be nickel chrome finished.

### HSG



### PSG



## Ordering Information:

Part #	Description
SSU03502	PSG Pull Station Guard
SSU03503	HSG Horn Strobe Guard

**ACEBOX**

Space Age Electronics, Inc.  
www.1sae.com  
800.486.1723 Toll Free  
508.485.0966 Local  
508.485.4740 Fax

*No Excuses, Just Solutions!*

This document is subject to change without notice, see doc # ED0479 for legal disclaimer